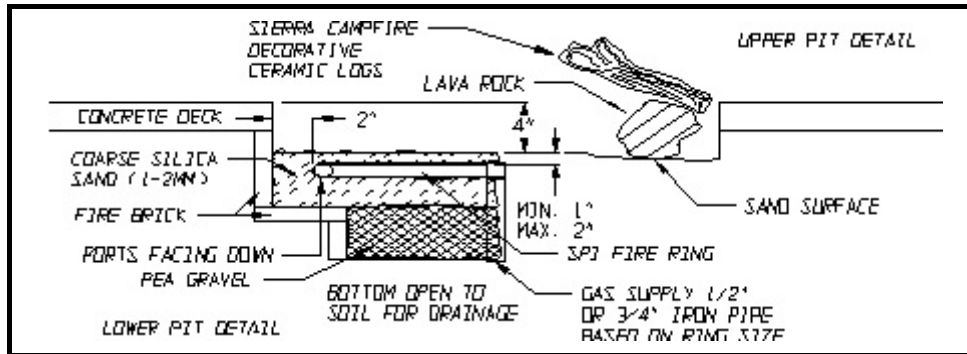




FIRE RING INSTALLATION INFORMATION

63 Laxalt Dr.
 Carson City, NV 89706
 (775)-241-2586
 Fax (775)-241-2704
www.sierraproductsinc.com

STANDARD MASONRY FIRE PIT



GENERAL INFORMATION - OUTDOOR FIREPITS

Outdoor firepits are constructed of standard masonry materials including firebrick, poured in place concrete, or various other natural non-combustible materials. Use care when selecting the materials to assure any materials that may come in contact with the flame area will not cause cracking or expansion. Check with your local material yard for best materials.

GAS PIPING AND CONSTRUCTION

Basic pipe installation requires a natural gas supply pipe to be buried in accordance with local codes and attached to an approved shut off valve. The pipe is brought vertical into the center of a firepit. Most pits are round however any shape can be used. The bottom of the pit is open to soil for water drainage while the sides are firebrick. The overall depth can vary however the basic dimensions are shown in Figure 1. Remember to place your pit from combustible construction. Use the Chart below to estimate BTU and gas pipe requirements.

FIRE RING BURNERS- BTU BURN RATE FOR NATURAL GAS BASED ON INLET PRESSURE W/C.

DESCRIPTION	P/N	4.0 IN.W.C	5.0 IN.W.C	6.0 IN.W.C	7.0 IN.W.C
12" FIRE RING - SINGLE RING	10839	71,401	80,838	87,980	94,541
18" FIRE RING - SINGLE RING	10840	80,278	90,888	98,917	106,294
22" FIRE RING - DOUBLE (12" INNER)	10841	90,496	102,457	101,850	101,850
24" FIRE RING - DOUBLE (12" INNER)	10842	104,083	117,840	128,250	137,814
30" FIRE RING - DOUBLE (18" INNER)	10843	124,020	140,412	152,816	164,212
36" FIRE RING - DOUBLE (18" INNER)	10844	136,095	154,082	167,694	180,199

NOTE: RATES 12", 18", 22" BASED ON 1/2" RIDGED SUPPLY PIPING 30' FROM SOURCE
 RATES 24", 30", 36" BASED ON 3/4" RIDGED SUPPLY PIPING 30' FROM SOURCE

FIRE H BURNERS- BTU BURN RATE FOR NATURAL GAS BASED ON INLET PRESSURE W/C.

DESCRIPTION	P/N	4.0 IN.W.C	5.0 IN.W.C	6.0 IN.W.C	7.0 IN.W.C
12" FIRE H BURNER	11278	75,341	85,298	92,834	99,757
18" FIRE H BURNER	11279	78,533	88,912	96,767	103,983
24" FIRE H BURNER	11280	79,636	90,162	98,127	105,444
30" FIRE H BURNER	11281	86,984	98,481	107,181	115,173
36" FIRE H BURNER	11282	104,784	118,634	129,114	138,742
48" FIRE H BURNER	11283	123,722	140,075	152,449	163,817

NOTE: RATES 12", 18", 22" BASED ON 1/2" RIDGED SUPPLY PIPING 30' FROM SOURCE
 RATES 24", 30", 36" BASED ON 3/4" RIDGED SUPPLY PIPING 30' FROM SOURCE
 ALL RATES ARE BASED ON 2" SAND COVERED BURNER

INSTALLATION

Fire-ring is installed with the port holes *down*. Fill bottom of pit with pea gravel to within several inches of the burner. Cover burner with about 2" of coarse (1mm-2mm) silica sand. The sand disperses the gas and allows for a large area burn. Top sand with volcanic rock and/or SPI's **Sierra Campfire Logs** available through your local dealer. For further information please contact Customer Service at (775)-241-2586, Mon.-Thur 8am-4:30pm Fri. 9am-2pm PST.