



MODEL 32,36,42 EFP ELECTRIC FIREPLACE

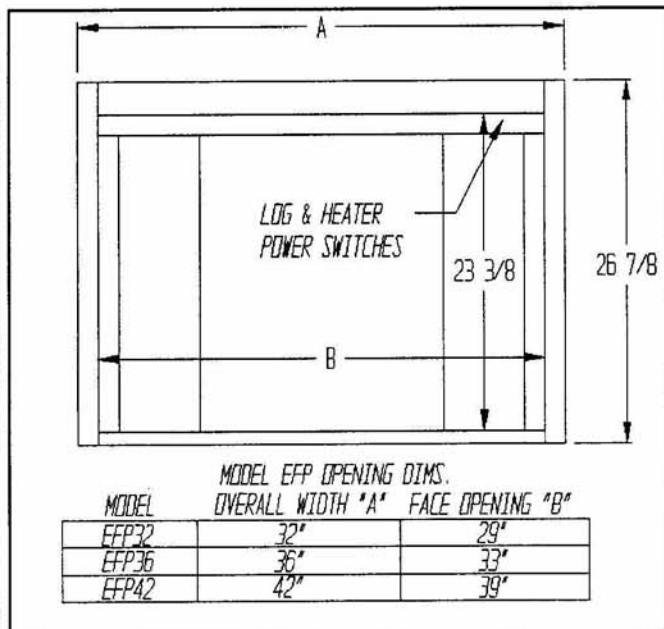
EFP ELECTRIC FIREPLACE TECHNICAL INFORMATION SHEET

GENERAL INFORMATION

INSTALLATION ADVANTAGES

Unlike standard fireplace installations, the EFP series electric fireplace has no clearance to combustible material requirements. It can be installed in any space into which it will fit. This electric fireplace requires no vent or attachment to outside combustion air.

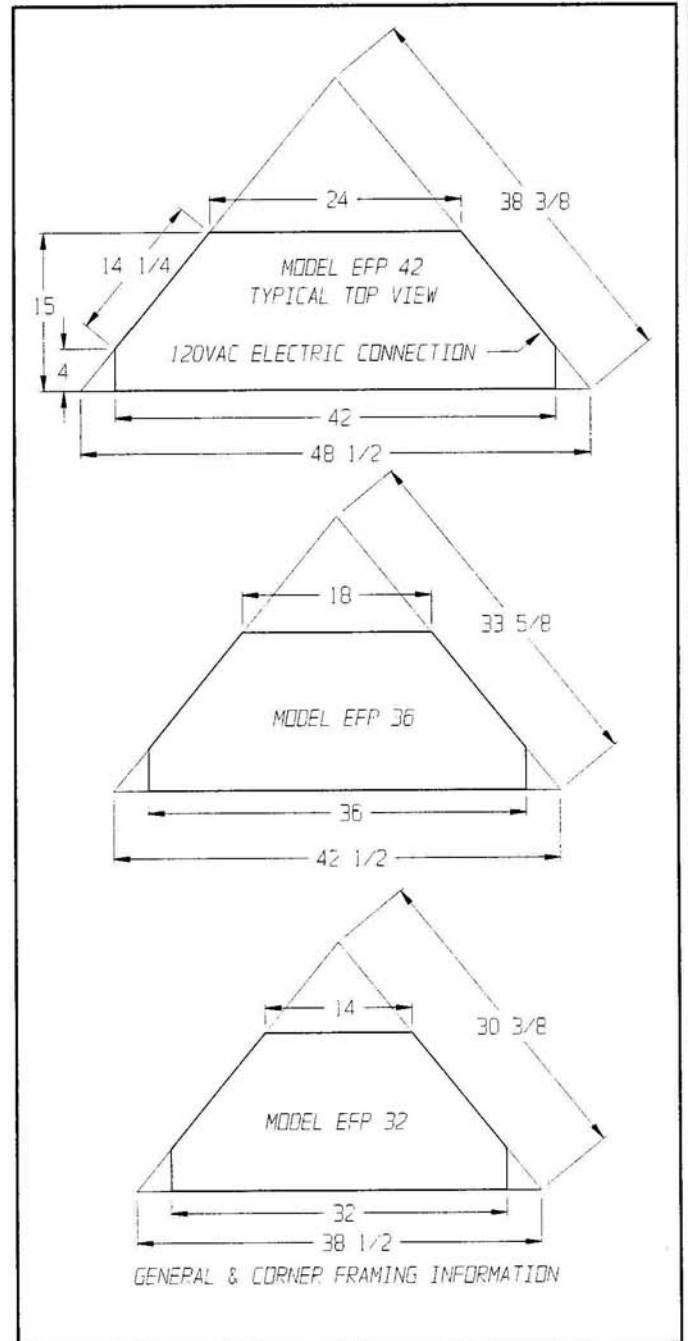
This product is an electric appliance and therefore the same considerations apply to the EFP as to when installing any built-in electric appliance.



ELECTRIC REQUIREMENTS

Power usage: Log - 375 watts, heater - 1500 watts.

- 1) Standard 15 AMP, 120 VAC grounded circuit is required.
- 2) A dedicated circuit is preferred but not essential in all cases.
- 3) This heater, when installed, must be electrically grounded in accordance with local codes or, in the absence of local codes, with the **National Electrical Code, ANSI/NFPA 70-2002**.



P/N 140660 6/03