

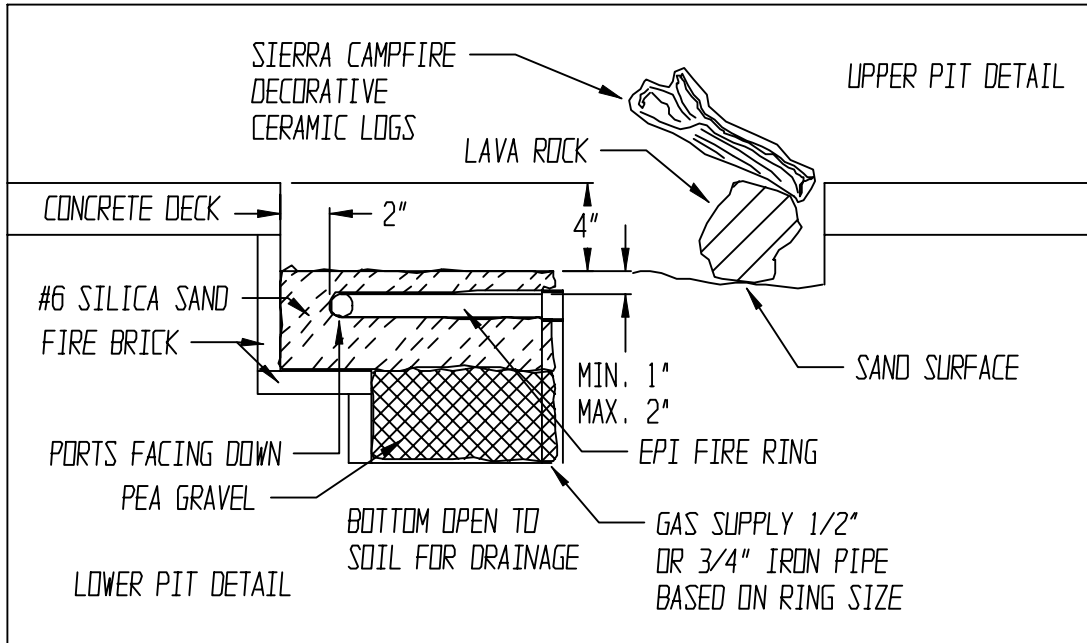


Effective March 1, 2007

FIRE RING INSTALLATION INFORMATION

5061 Brooks St., Suite B
 Montclair, CA 91763
 (800)-527-4790
 Fax (800)-758-2929

STANDARD MASONRY FIRE PIT



GENERAL INFORMATION - OUTDOOR FIREPITS

Outdoor firepits are constructed of standard masonry materials including firebrick, poured in place concrete, or various other natural non-combustible materials. Use care when selecting the materials to assure any materials that may come in contact with the flame area will not cause cracking or expansion. Check with your local material yard for best materials.

GAS PIPING AND CONSTRUCTION

Basic pipe installation requires a natural gas supply pipe to be buried in accordance with local codes and attached to an approved shut off valve. The pipe is brought vertical into the center of a firepit. Most pits are round however any shape can be used. The bottom of the pit is open to soil for water drainage while the sides are firebrick. The overall depth can vary however the basic dimensions are shown in Figure 1. Remember to place your pit from combustible construction. Use the chart below to estimate BTU and gas pipe requirements.

BTU BURN RATE FOR NATURAL GAS BASED ON INLET PRESSURE W/C.

| DESCRIPTION | P/N | 4.0 IN.W.C | 5.0 IN.W.C | 6.0 IN.W.C | 7.0 IN.W.C |
|------------------------------------|-------|------------|------------|------------|------------|
| 12" FIRE RING - SINGLE RING | 10839 | 71,401 | 80,838 | 87,980 | 94,541 |
| 18" FIRE RING - SINGLE RING | 10840 | 80,278 | 90,888 | 98,917 | 106,294 |
| 22" FIRE RING - DOUBLE (12" INNER) | 10841 | 90,496 | 102,457 | 101,850 | 101,850 |
| 24" FIRE RING - DOUBLE (12" INNER) | 10842 | 104,083 | 117,840 | 128,250 | 137,814 |
| 30" FIRE RING - DOUBLE (18" INNER) | 10843 | 124,020 | 140,412 | 152,816 | 164,212 |
| 36" FIRE RING - DOUBLE (18" INNER) | 10844 | 136,095 | 154,082 | 167,694 | 180,199 |

NOTE: RATES 12", 18", 22" BASED ON 1/2" RIDGED SUPPLY PIPING 30' FROM SOURCE
 RATES 24", 30", 36" BASED ON 3/4" RIDGED SUPPLY PIPING 30' FROM SOURCE
 ALL RATES BASED ON 2" SAND COVERED BURNER

INSTALLATION

Fire-ring is installed with the port holes down. Fill bottom of pit with pea gravel to within several inches of the burner. Cover burner with about 2" silica sand. The sand disperses the gas and allows for a large area burn. Top sand with volcanic rock and/or EPI's **Sierra Campfire Logs** available through your local dealer. For further information please contact contact Customer Service at (800)-527-4790, Monday thru Friday 8am-4:30pm PST.